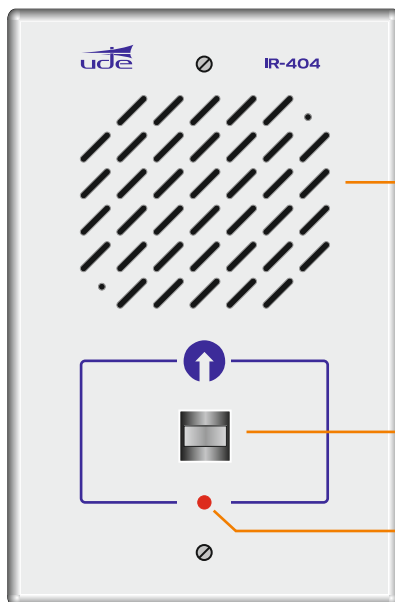
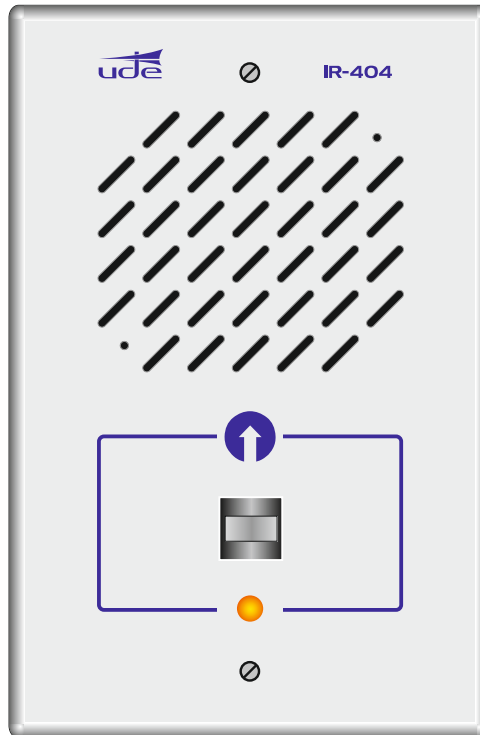
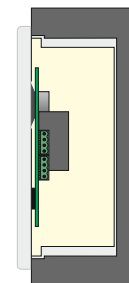


IR-404

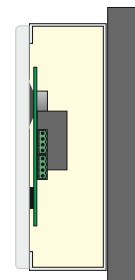
Secondary intercommunication



Dimensions: 123 x 180 x 8 mm.



FLUSH MOUNTING
BOX
CW-93



SURFACE BOX
CW-83



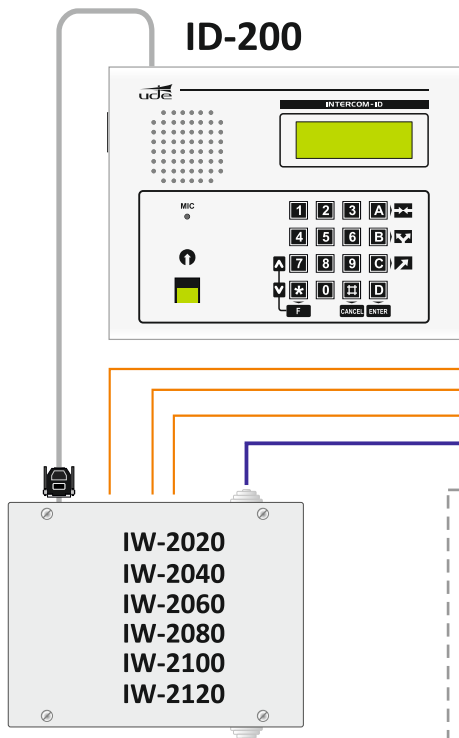
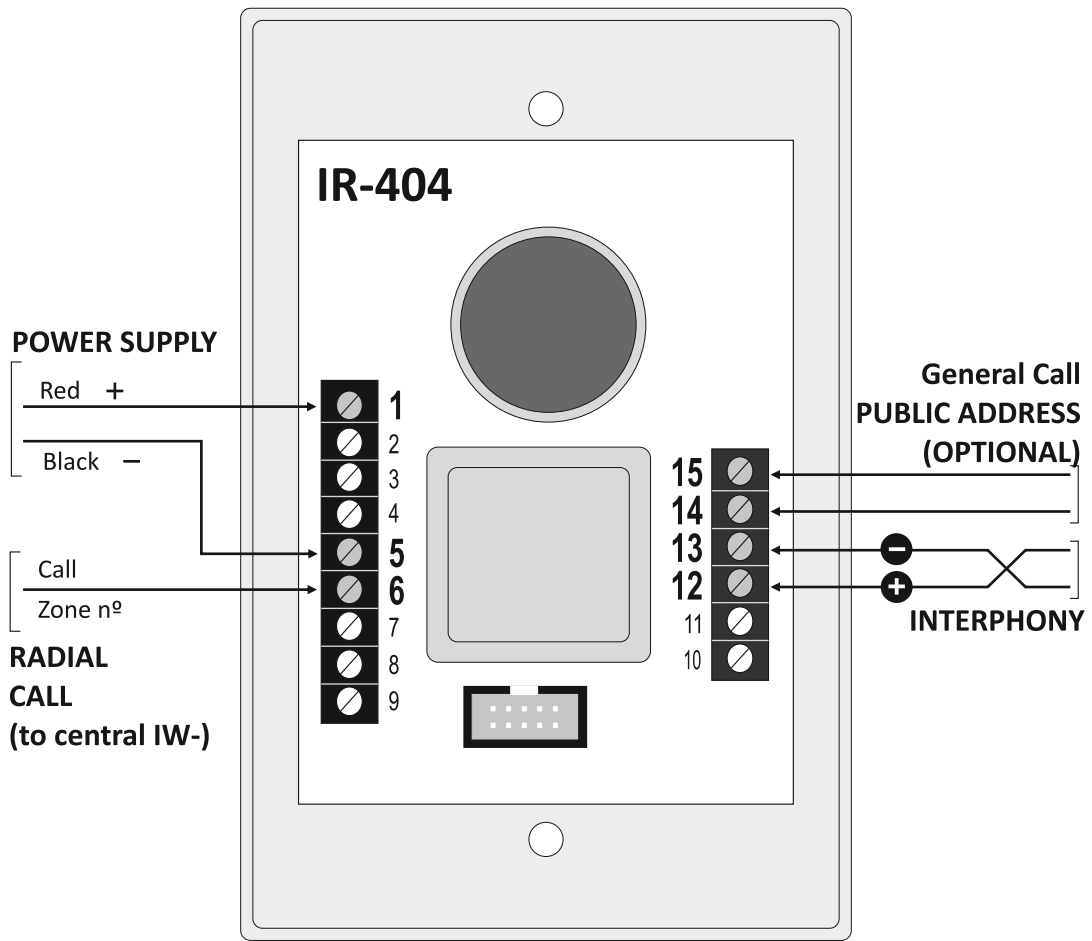
EQUIPOS Y SISTEMAS MEGAFONÍA / INTERCOM • PUBLIC ADDRESS SYSTEMS

UNIÓN DESARROLLOS ELECTRÓNICOS

Tel.: +34 934 772 854 / +34 609 914 787 • ude@udeaudio.com • BARCELONA - SPAIN

www.udeaudio.com

rev.1 | 610.375A | 1 / 2



TYPES OF CABLES	
A	A shielded cable and interlaced with 2x0,34 mm ² section min. INTERPHONE 2 wires of 1,50 mm ² section min. ALIMENTATION 2 wires of 0,50 mm ² section min. General Call PUBLIC ADDRESS
B	A wire section 0,25 mm ² section min. CALL

