



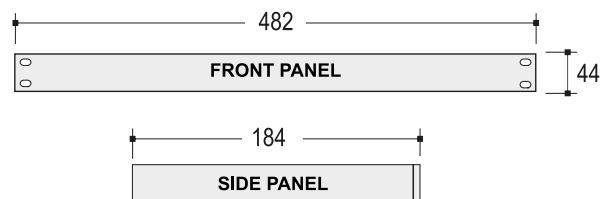
- Record, manage and reproduce messages automatically in MP3 format.
- You can decide hour, time and date to launch the messages.
- Report about open and closing hours of your establishment.
- Program your offers and promotions to reproduce them automatically.
- Priority or evacuation messages.
- Bell chimes for churches and Town Halls.

Main characteristics

- ✓ Up to 1440 events per day.
- ✓ Up to 32 date ranges throughout the year.
- ✓ SD Card incorporated (up to 32 GB) through USB port.
- ✓ LCD screen to visualice date, time and 4 pushbuttons to set hour and configuration.
- ✓ 1W 2" monitoring speaker.
- ✓ 3 pushbuttons in front panel for priority messages.
- ✓ Activation of programmed messages acting to de front panel pushbuttons A, B or C or through clousured contact in the back panel.
- ✓ Send specific messages to different zones or groups.
- ✓ Auxiliary remote control via terminals. Closed contact when there is a message reproducing.
- ✓ Front USB port to load files (the PC is recongnized as an external unit) and to load the annual program with the MasterSwitch software.
- ✓ Stereo audio output with gain adjustment.
- ✓ Connected to switch centrals WZ-1000A is able to generate events for 50 zones (5 WZ-1000A) In case of needing to control more zones the system can be expanded adding more units of GD-1000

GD-1000 1U - Rack 19"

Includes free MasterSwitch license to manage the data from PC via USB port.



DIMENSIONS IN MILLIMETERS



EQUIPOS Y SISTEMAS MEGAFONÍA / INTERCOM • PUBLIC ADDRESS SYSTEMS

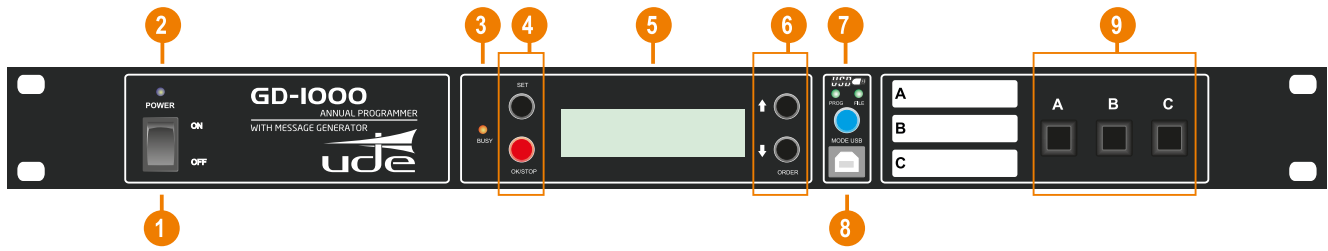
UNIÓN DESARROLLOS ELECTRÓNICOS

Tel.: +34 934 772 854 / +34 609 914 787 • ude@udeaudio.com • BARCELONA - SPAIN

www.udeaudio.com

Rev.4 610.503A | 1 / 7

Front panel



1 ON / OFF Switch

2 LED POWER

3 LED BUSY

4 Hour/Day set

5 LCD Display

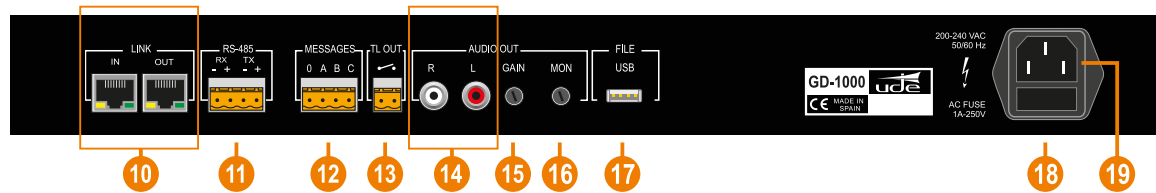
6 Navigation pushbuttons

7 PROGRAM / FILE mode pushbutton

8 Conector USB port to load the program

9 "Priority messages" pushbuttons

Rear panel



10 RS-485 communication.

11 RS-485 Euroblock connector.

12 Remote controls input. Activation of priority messages.

13 Auxiliary remote control output.

14 Salida audio estereo. Conectores RCA

15 Output gain adjustment

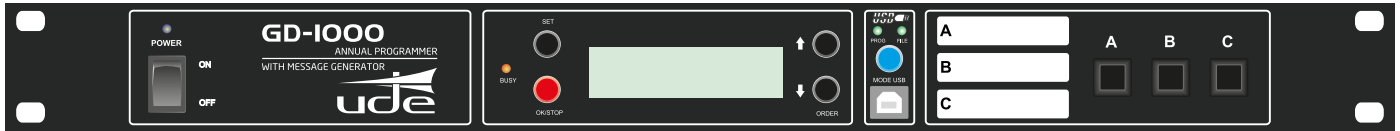
16 Monitor speaker gain adjustment

17 Messages USB port

18 AC Fuse

19 Power supply input. 200 - 240 VAC

Start-up of the equipment (via MasterSwitch software)



- 1.- Connect the GD-1000 to the mains (230VAC).
- 2.- Press the POWER button. Press the blue connection mode button until the FILE led lights up (only works with internal micro SD card not included).
- 3.- Plug the supplied USB flash drive into the connector on the back of the GD-1000 (17). For the correct operation of the GD-1000 the pendrive where the messages linked to the programming are stored.

There is the option of using the internal slot for the micro SD card (not supplied) instead of using the supplied pendrive. To access the contents of this card, the GD-1000 must be in FILE mode.

- 4.- Connect the equipment to the PC (cable supplied).

ANH and ANM function:

The UP and DOWN buttons are used to activate and deactivate the ANH function (cancelling warnings today) and the ANM function (cancelling warnings tomorrow).

UP Activates and deactivates ANH.

DOWN Activates and deactivates ANM.

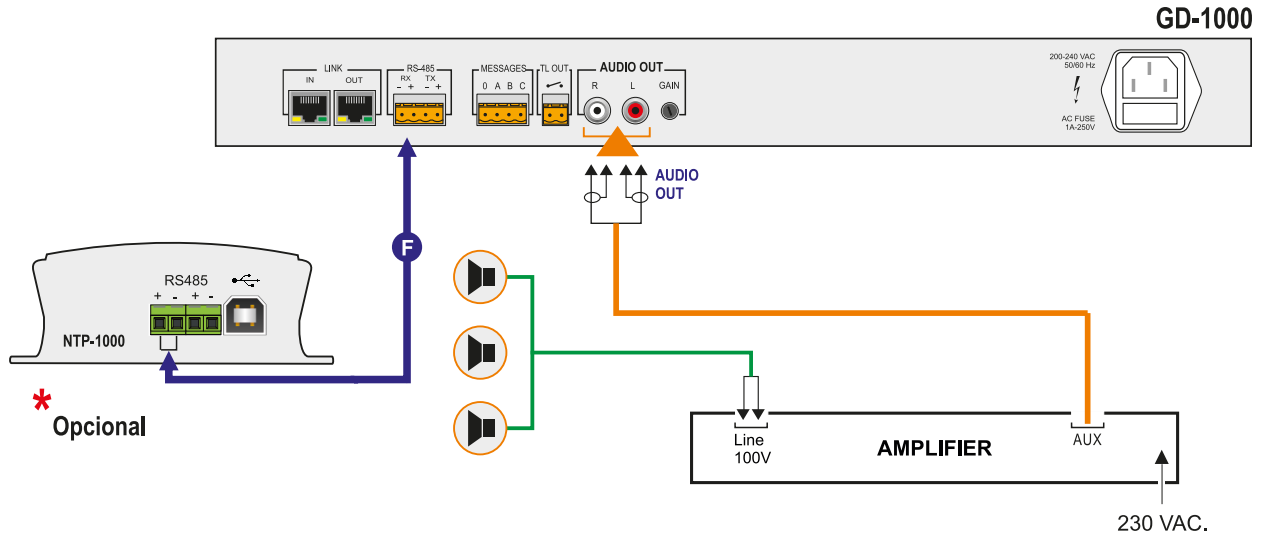
The functions will be activated when the UP and DOWN arrows appear on the equipment display.

- En en el *pen drive* encontrará los Drivers, manuales y programas necesarios para la instalación del software *MasterSwitch*
- We recommend copying the MasterSwitch files from the USB to the PC for installation.
- The files can be deleted from the memory card in case you need more space for messages.

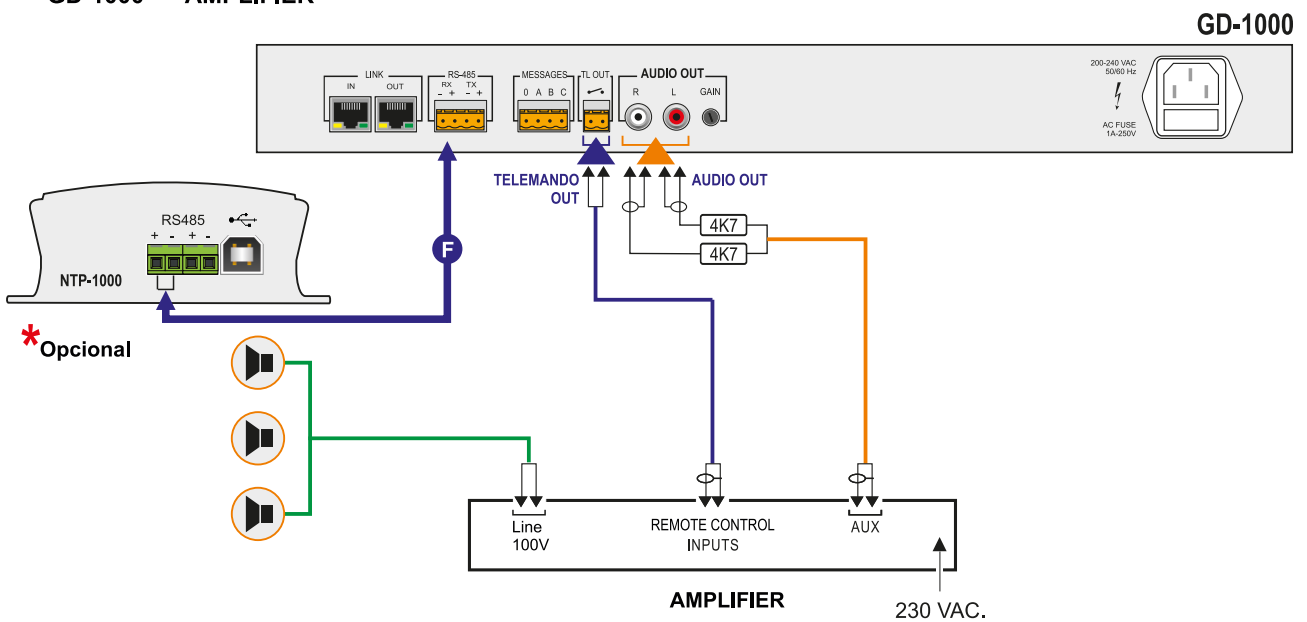
GD-1000 connections

The system can be complemented with the NTP-1000 time synchronization module

NO PRIORITY GD-1000 - AMPLIFIER



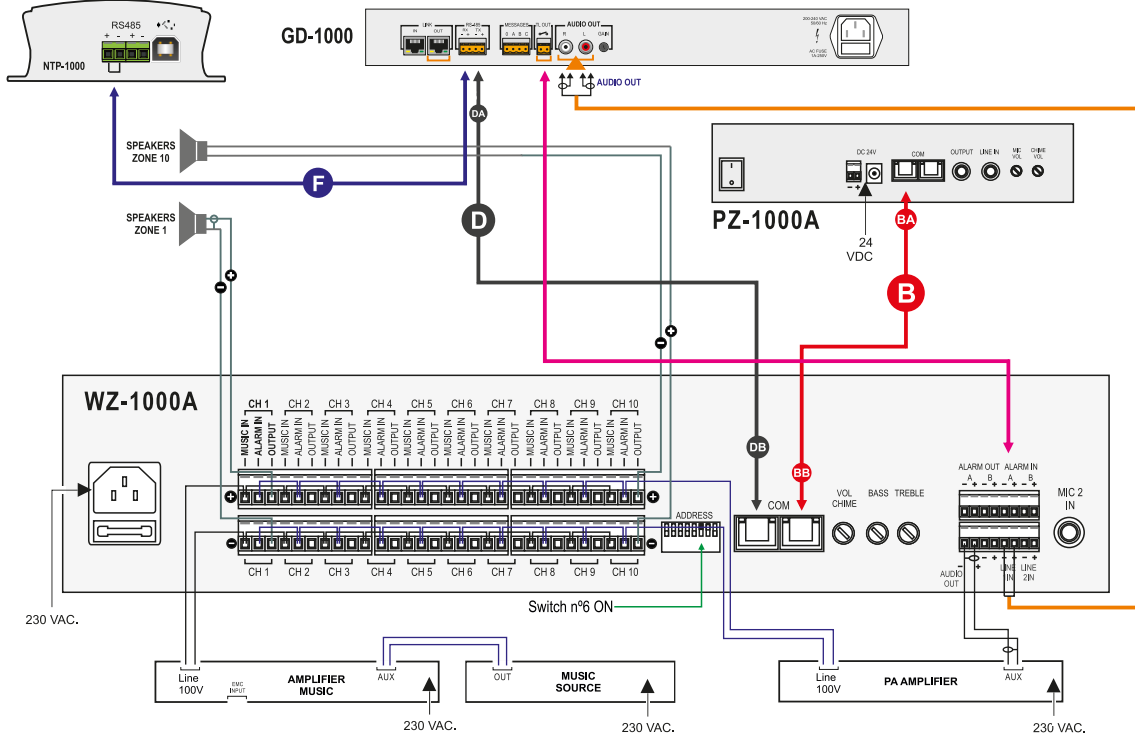
WITH PRIORITY GD-1000 - AMPLIFIER



Connection diagram

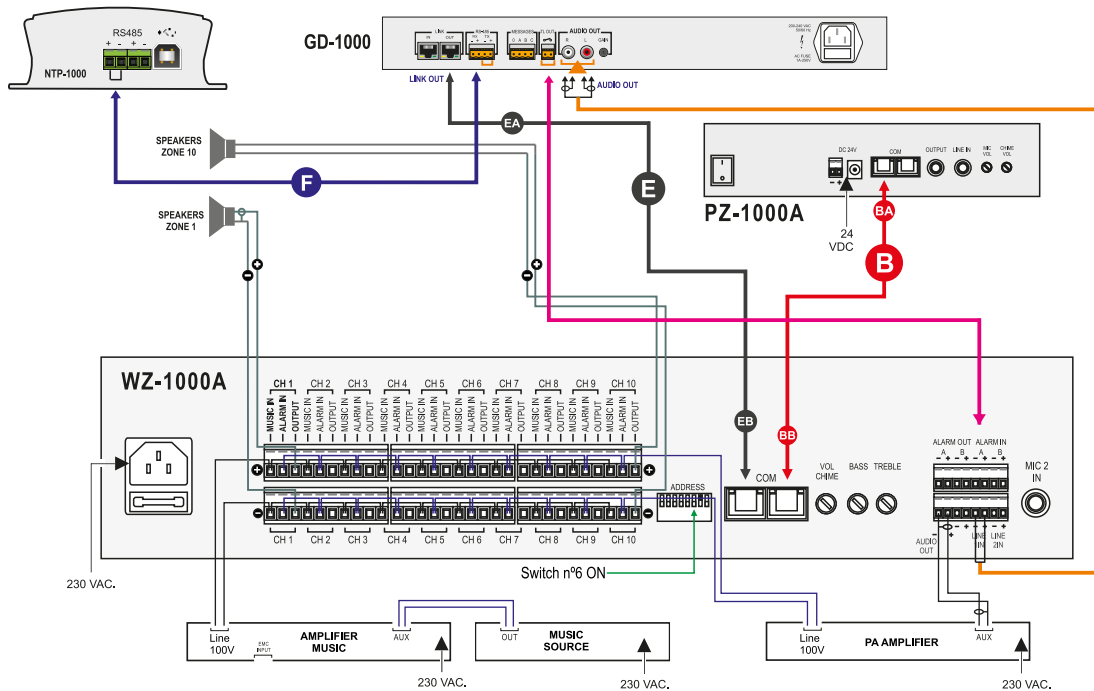
OPTION A

Connection between GD-1000 and WZ-1000A via D cable (RJ-45 / Euroblock)



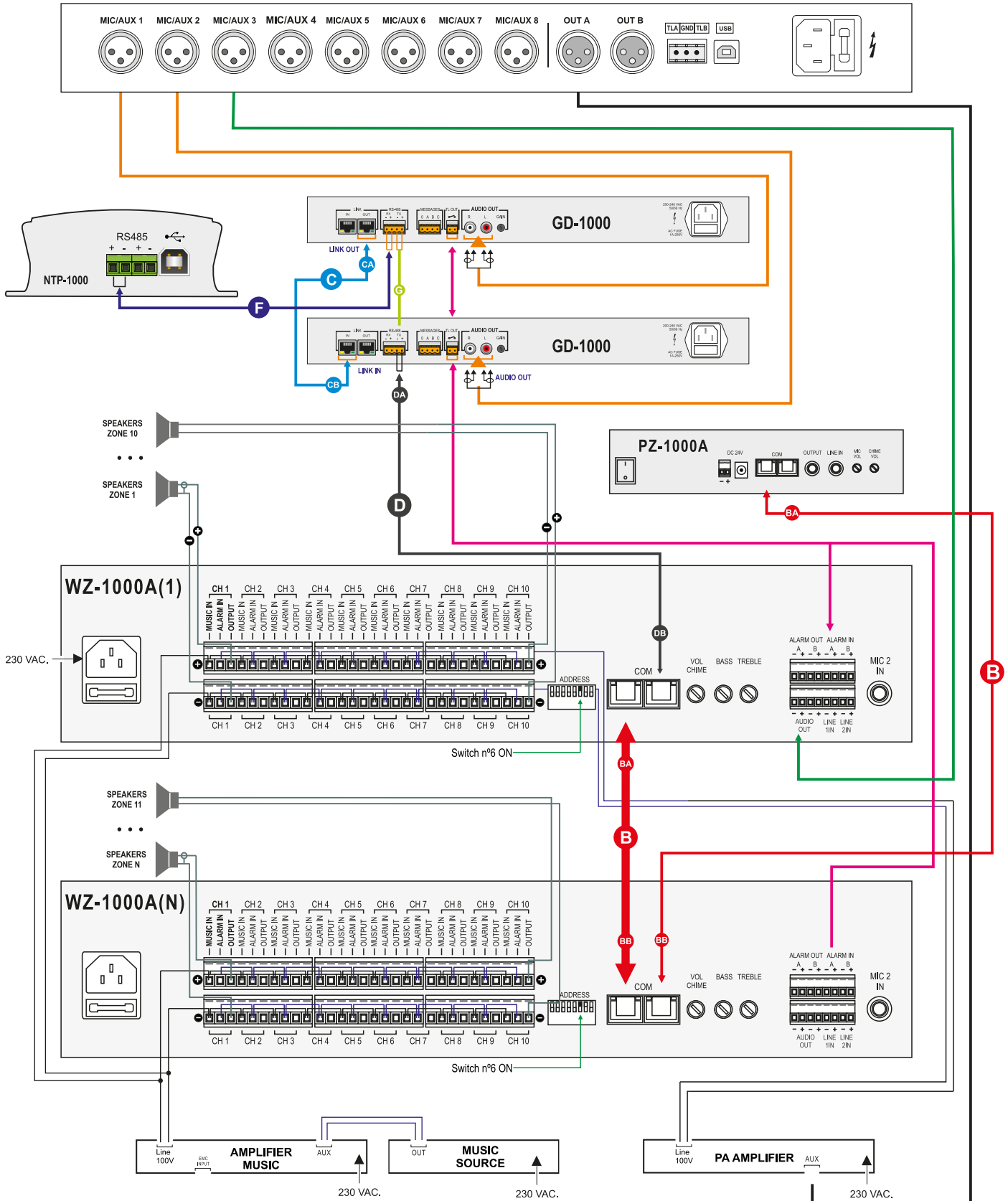
OPTION B

Connection between GD-1000 and WZ-1000A via E cable (RJ-45 / RJ-45)

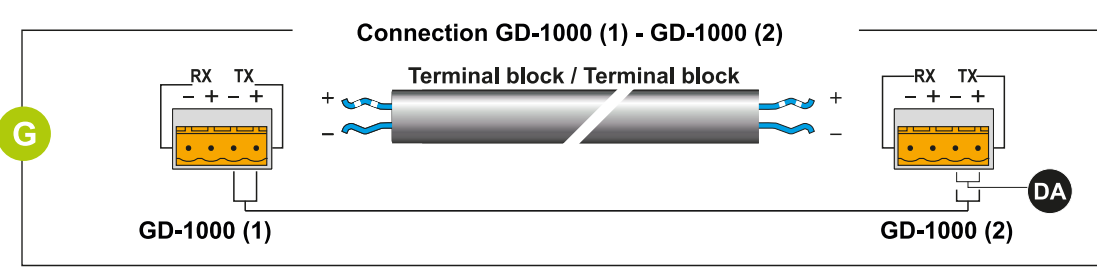
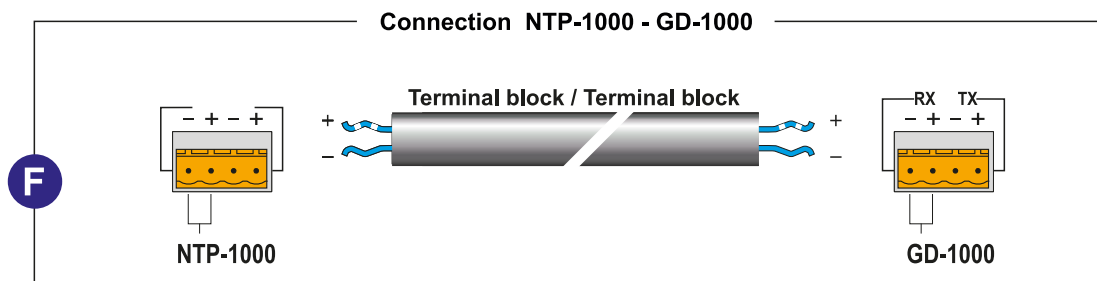
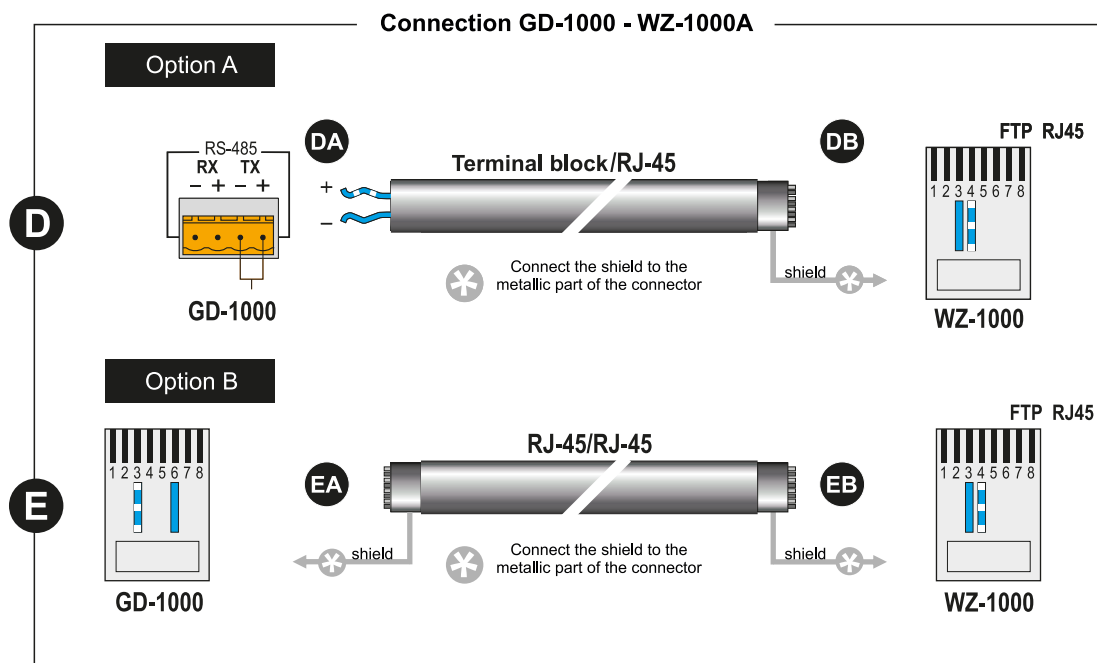
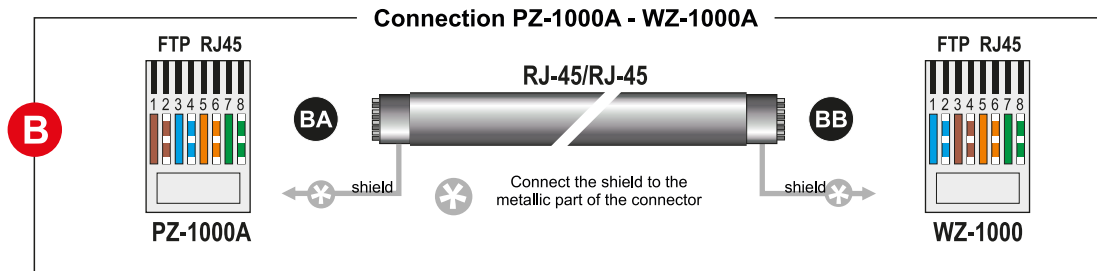
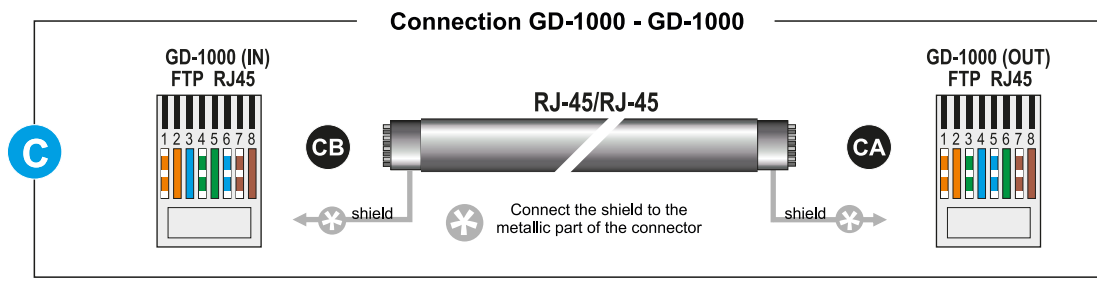


Connection diagram

Connection of 2 or more GD-1000 together with 2 or more WZ-1000A with NTP-1000 time synchronization module



Wiring



* the use of improper cables or their wrong placement may cause damage to equipment tha is not covered by the warranty